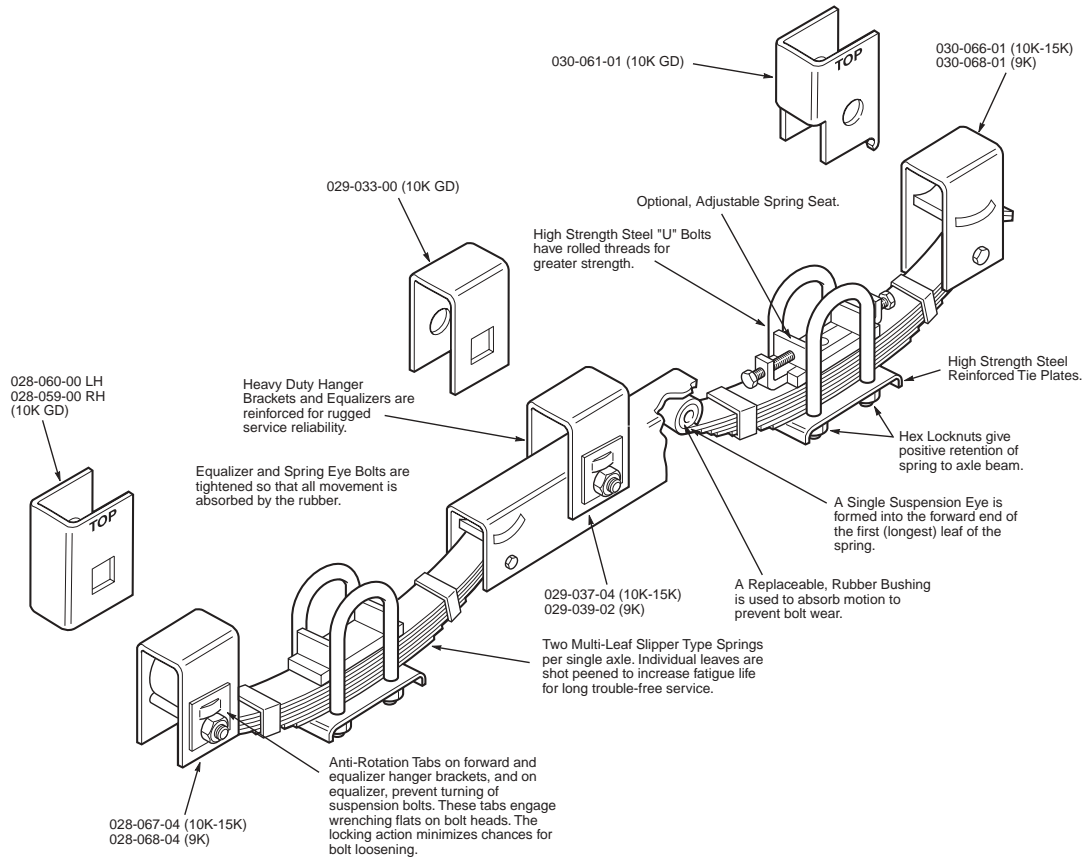


# Dexter Axle Suspension System



## Cross Frame Hanger Reinforcement

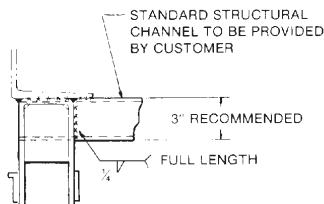
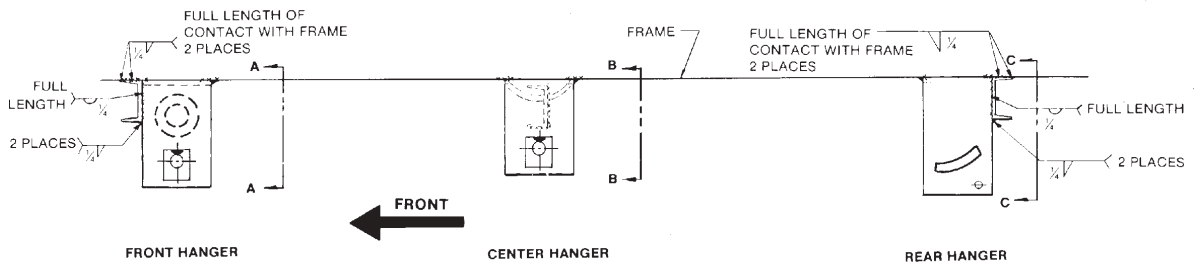
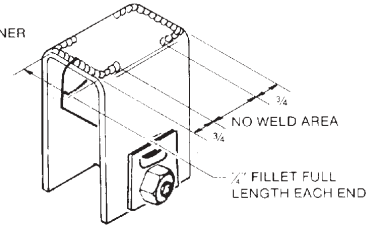
**CROSS FRAME REINFORCEMENT BETWEEN SPRING AND EQUALIZER HANGER BRACKETS ASSURES FULL LOAD CARRYING CAPABILITY OF THE AXLE MOUNTED STRUCTURE.**

**STANDARD THREE INCH STRUCTURAL CHANNEL IS SUGGESTED FOR REINFORCEMENT MEMBERS.**

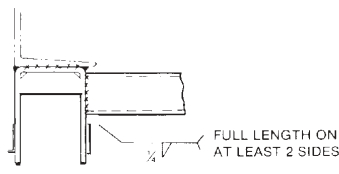
**WELDS SHALL BE AS INDICATED.**

### RECOMMENDED HANGER WELDING PROCEDURE

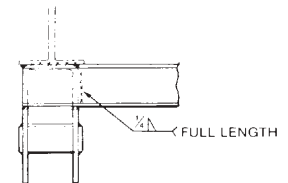
WELD AROUND CORNER AS SHOWN



VIEW AA

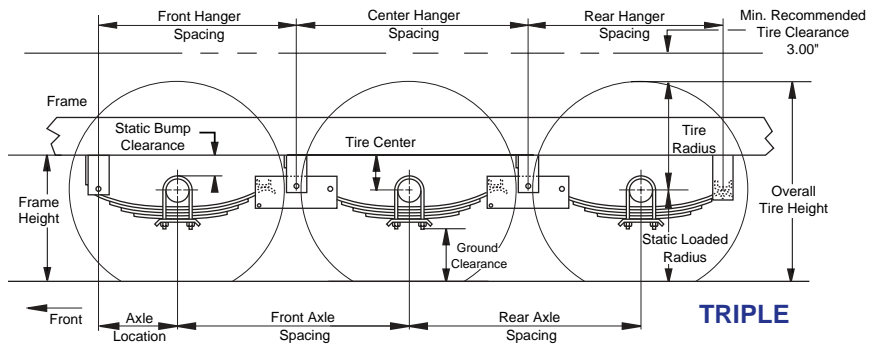
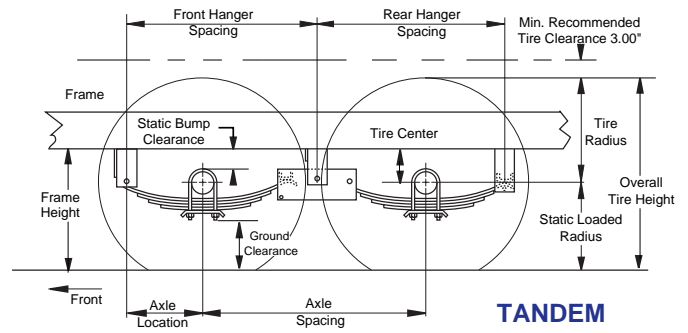
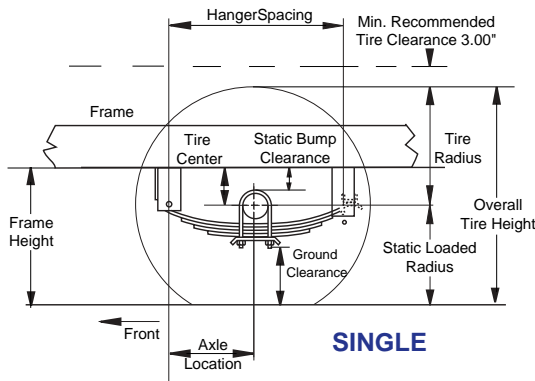


VIEW BB



VIEW CC

# Suspension Dimensions / Kits for 2" Wide Springs



## 9K SINGLE AXLE HAP-105-00

Part No.	Qty.	Description
028-068-04	2	Front Hanger
030-068-01	2	Rear Hanger
007-181-00	2	Spring Eye Bolt
007-007-00	2	Keeper Bolt
006-038-00	2	Locknut
006-011-00	2	Locknut
059-203-00	1	Instruction Sheet

## 9K HAP-105-00

Front Hanger Spacing	26.9
Static Bump Clearance	2.6
Tire Center	5.2
Axle Location	13.7

## TANDEM

### 9K HAP-205-01 HAP-205-02 HAP-205-03

Front Hanger Spacing	32.4	34.6	37.7
Rear Hanger Spacing	32.9	35.0	38.1
Static Bump Clearance	2.3	2.3	2.3
Tire Center	4.9	4.9	4.9
Axle Location	13.7	13.7	13.7
Front Axle Spacing	38.0	42.3	48.5

## TRIPLE

### 9K HAP-205-01 HAP-205-02 HAP-205-03

Front Hanger Spacing	32.4	34.6	37.7
Center Hanger Spacing	38.0	42.3	48.5
Rear Hanger Spacing	32.9	35.0	38.1
Static Bump Clearance	2.3	2.3	2.3
Tire Center	4.9	4.9	4.9
Axle Location	13.7	13.7	13.7
Front Axle Spacing	38.0	42.3	48.5
Rear Axle Spacing	38.0	42.3	48.5

## 9K AXLE ASSEMBLIES

38" 42.25" 48.50"

For single axle assemblies use (1) HAP-105-00

Tandem	(1) HAP-105-00	(1) HAP-105-00	(1) HAP-105-00
	(1) HAP-205-01	(1) HAP-205-02	(1) HAP-205-03
Triple	(1) HAP-105-00	(1) HAP-105-00	(1) HAP-105-00
	(2) HAP-205-01	(2) HAP-205-02	(2) HAP-205-03

## 9K 38" MULTI-AXLE CONVERSION KIT HAP-205-01

Part No.	Qty.	Description
029-039-04	2	Center Hanger
013-117-03	2	Equalizer
007-181-00	2	Spring Eye Bolt
007-007-00	2	Keeper Bolt
007-182-00	2	Equalizer Bolt
006-038-00	2	Locknut
006-011-00	2	Locknut
006-112-00	2	Locknut
059-203-00	1	Instruction Sheet

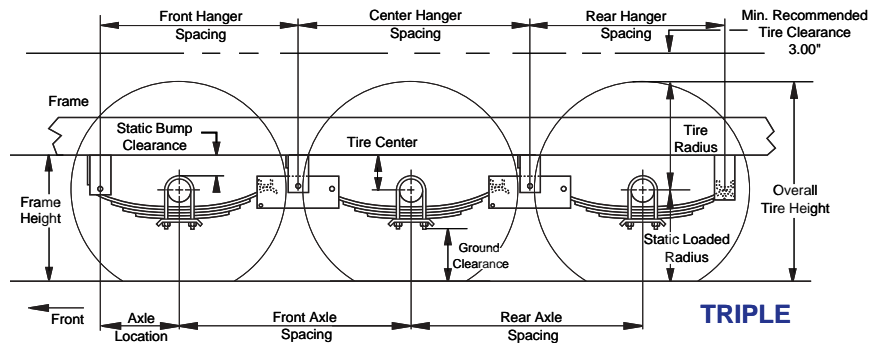
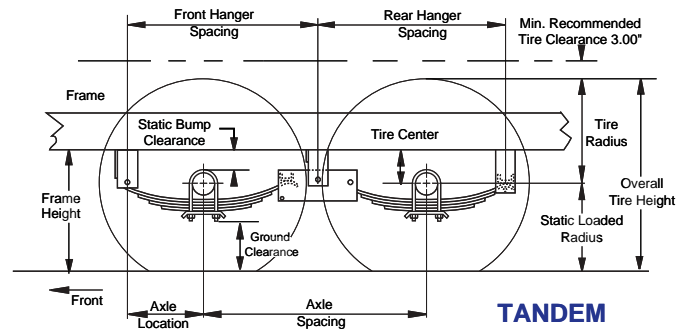
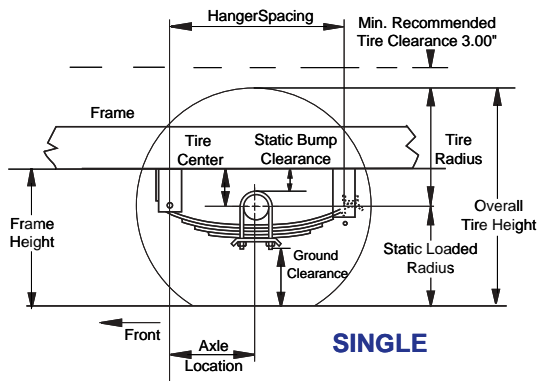
## 9K 42.25" MULTI-AXLE CONVERSION KIT HAP-205-02

Part No.	Qty.	Description
029-039-04	2	Center Hanger
013-118-03	2	Equalizer
007-181-00	2	Spring Eye Bolt
007-007-00	2	Keeper Bolt
007-182-00	2	Equalizer Bolt
006-038-00	2	Locknut
006-011-00	2	Locknut
006-112-090	2	Locknut
059-203-00	1	Instruction Sheet

## 9K 48.5" MULTI-AXLE CONVERSION KIT HAP-205-03

Part No.	Qty.	Description
029-039-04	2	Center Hanger
013-119-03	2	Equalizer
007-181-00	2	Spring Eye Bolt
007-007-00	2	Keeper Bolt
007-182-00	2	Equalizer Bolt
006-038-00	2	Locknut
006-011-00	2	Locknut
006-112-00	2	Locknut
059-203-00	1	Instruction Sheet

# Suspension Dimensions / Kits for 2 1/2" Wide Springs



## 10K GD SINGLE AXLE HAP-156-00

Part No.	Qty.	Description
028-059-00	1	Hanger
028-060-00	1	Hanger
030-061-01	2	Rear Hanger
007-135-02	2	Spring Eye Bolt
006-113-00	2	Locknut
059-561-00	1	Instruction Sheet

## 10K GD HAP-156-00

Front Hanger Spacing	27.4
Static Bump Clearance	1.9
Tire Center	5.0
Axle Location	14.0

## TANDEM

### 10K GD HAP-256-01 HAP-256-02 HAP-256-03

Front Hanger Spacing	33.0	35.1	38.3
Rear Hanger Spacing	32.4	34.6	37.7
Static Bump Clearance	1.9	1.9	1.9
Tire Center	5.0	5.0	5.0
Axle Location	14.0	14.0	14.0
Front Axle Spacing	38.0	42.3	48.5

## TRIPLE

### 10K GD HAP-256-01 HAP-256-02 HAP-256-03

Front Hanger Spacing	33.0	35.1	38.3
Center Hanger Spacing	38.0	42.3	48.5
Rear Hanger Spacing	32.4	34.6	37.7
Static Bump Clearance	1.9	1.9	1.9
Tire Center	5.0	5.0	5.0
Axle Location	14.0	14.0	14.0
Front Axle Spacing	38.0	42.3	48.5
Rear Axle Spacing	38.0	42.3	48.5

## 10K GD AXLE ASSEMBLIES

38"      42.25"      48.50"

For single axle assemblies use (1) HAP-156-00

Tandem	(1) HAP-156-00	(1) HAP-156-00	(1) HAP-156-00
	(1) HAP-256-01	(1) HAP-256-02	(1) HAP-256-03
Triple	(1) HAP-156-00	(1) HAP-156-00	(1) HAP-156-00
	(2) HAP-256-01	(2) HAP-256-02	(2) HAP-256-03

## 10K GD 38" MULTI-AXLE CONVERSION KIT HAP-256-01

Part No.	Qty.	Description
006-112-00	2	Locknut
006-113-00	2	Locknut
007-135-02	2	Spring Eye Bolt
007-136-02	2	Equalizer Bolt
013-080-01	1	LH Equalizer
013-081-01	1	RH Equalizer
029-033-00	2	Center Hanger
059-561-00	1	Instruction Sheet

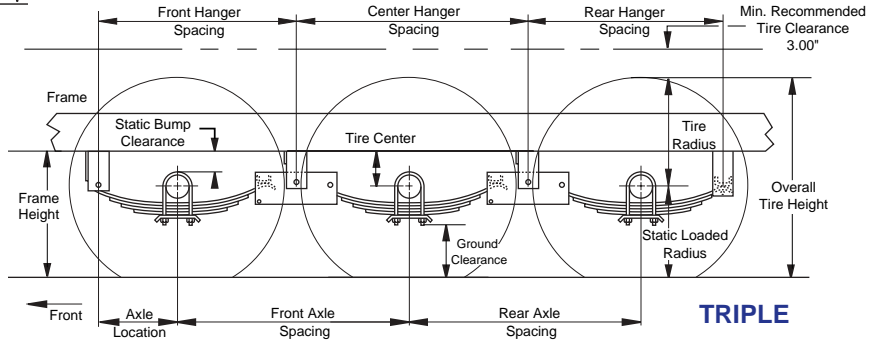
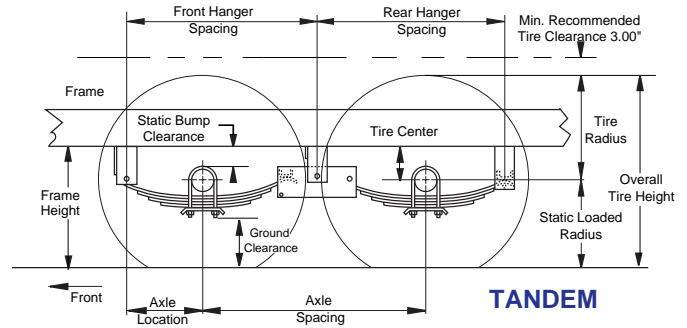
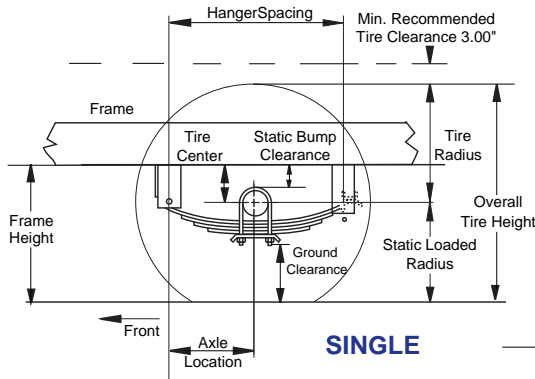
## 10K GD 42.25" MULTI-AXLE CONVERSION KIT HAP-256-02

Part No.	Qty.	Description
006-112-00	2	Locknut
006-113-00	2	Locknut
007-135-02	2	Spring Eye Bolt
007-136-02	2	Equalizer Bolt
013-082-01	1	LH Equalizer
013-083-01	1	RH Equalizer
029-033-00	2	Center Hanger
059-561-00	1	Instruction Sheet

## 10K GD 48.5" MULTI-AXLE CONVERSION KIT HAP-256-03

Part No.	Qty.	Description
006-112-00	2	Locknut
006-113-00	2	Locknut
007-135-02	2	Spring Eye Bolt
007-136-02	2	Equalizer Bolt
013-084-01	1	LH Equalizer
013-085-01	1	RH Equalizer
029-033-00	2	Center Hanger
059-561-00	1	Instruction Sheet

# Suspension Dimensions / Kits for 3" Wide Springs



## 10-15K SINGLE AXLE HAP-103-00

Part No.	Qty.	Description
028-067-04	2	Front Hanger
030-066-01	2	Rear Hanger
007-169-00	2	Spring Eye Bolt
007-095-00	2	Keeper Bolt
006-046-00	2	Locknut
006-112-00	2	Locknut
059-203-00	1	Instruction Sheet

## 10K-15K HAP-103-00

Front Hanger Spacing	27.4
Static Bump Clearance	2.9
Tire Center	6.0
Axle Location	14.0

## TANDEM

### 10K-15K HAP-203-01 HAP-203-02 HAP-203-03

Front Hanger Spacing	33.0	35.1	38.3
Rear Hanger Spacing	32.4	34.6	37.7
Static Bump Clearance	2.4	2.4	2.4
Tire Center	5.5	5.5	5.5
Axle Location	14.0	14.0	14.0
Front Axle Spacing	38.0	42.3	48.5

## TRIPLE

### 10-15K HAP-203-01 HAP-203-02 HAP-203-03

Front Hanger Spacing	33.0	35.1	38.3
Center Hanger Spacing	38.0	42.3	48.5
Rear Hanger Spacing	32.4	34.6	37.7
Static Bump Clearance	2.2	2.2	2.2
Tire Center	5.3	5.3	5.3
Axle Location	14.0	14.0	14.0
Front Axle Spacing	38.0	42.3	48.5
Rear Axle Spacing	38.0	42.3	48.5

## 10-15K AXLE ASSEMBLIES

### 38" 42.25" 48.5"

For single axle assemblies use (1) HAP-103-00

Tandem	(1) HAP-103-00	(1) HAP-103-00	(1) HAP-103-00
	(1) HAP-203-01	(1) HAP-203-02	(1) HAP-203-03
Triple	(1) HAP-103-00	(1) HAP-103-00	(1) HAP-103-00
	(2) HAP-203-01	(2) HAP-203-02	(2) HAP-203-03

## 10-15K 38" MULTI-AXLE CONVERSION KIT HAP-203-01

Part No.	Qty.	Description
029-037-04	2	Center Hanger
013-107-07	1	LH Equalizer
013-107-08	1	RH Equalizer
007-169-00	2	Spring Eye Bolt
007-095-00	2	Keeper Bolt
007-170-00	2	Equalizer Bolt
006-046-00	2	Locknut
006-072-00	2	Locknut
006-112-00	2	Locknut
059-203-00	1	Instruction Sheet

## 10-15K 42.25" MULTI-AXLE CONVERSION KIT HAP-203-02

Part No.	Qty.	Description
029-037-04	2	Center Hanger
013-108-03	1	LH Equalizer
013-108-04	1	RH Equalizer
007-169-00	2	Spring Eye Bolt
007-095-00	2	Keeper Bolt
007-170-00	2	Equalizer Bolt
006-046-00	2	Locknut
006-072-00	2	Locknut
006-112-00	2	Locknut
059-203-00	1	Instruction Sheet

## 10-15K 48.5" MULTI-AXLE CONVERSION KIT HAP-203-03

Part No.	Qty.	Description
029-037-04	2	Center Hanger
013-109-03	1	LH Equalizer
013-109-04	1	RH Equalizer
007-169-00	2	Spring Eye Bolt
007-095-00	2	Keeper Bolt
007-170-00	2	Equalizer Bolt
006-046-00	2	Locknut
006-072-00	2	Locknut
006-112-00	2	Locknut
059-203-00	1	Instruction Sheet