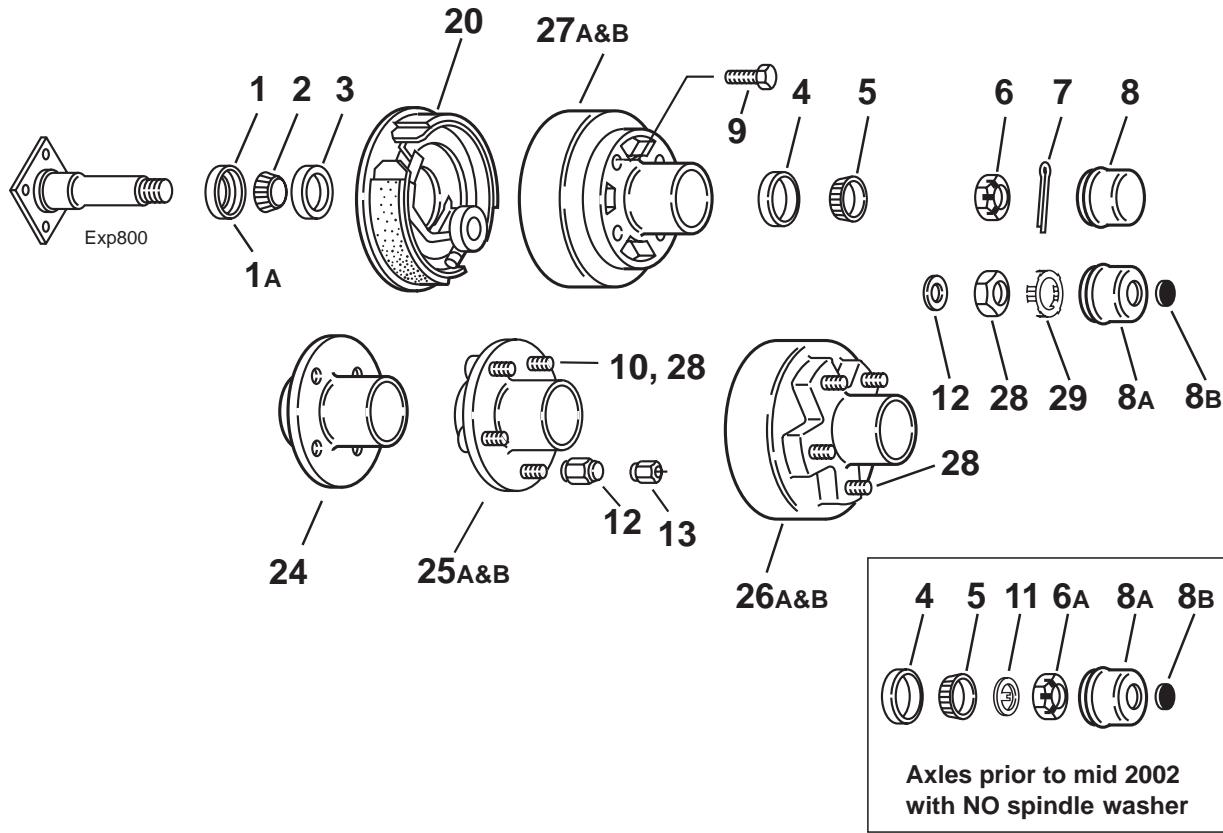


440 AND 545 HUB GROUP

600 - 1100 LBS. CAPACITY



GREASE LUBE PARTS

Item	Part No.	Description
1	010-009-00	Grease Seal
1A	010-060-00	Grease Seal for E-Z Lube™
2	031-031-02	L44649 Inner Bearing Cone
3	031-031-01	L44610 Inner Bearing Cup
4	031-031-01	L44610 Outer Bearing Cup
5	031-031-02	L44649 Outer Bearing Cone
6	006-176-00	Spindle Nut 12 castellation
6A	006-001-00	Spindle Nut - E-Z Lube™ only 6 castellation
7	019-002-00	Cotter Pin (not used with E-Z Lube™)
8	021-003-00	Grease Cap
8A	021-041-01	Grease Cap for E-Z Lube™
8B	085-001-00	Rubber Plug for E-Z Lube™
9	007-040-00	Wheel Bolt
11	005-101-00	Tang Washer for E-Z Lube™ (prior to 2002)
12	005-151-00	Spindle Washer for E-Z Lube™ (after 2002)
28	006-191-00	Special Jam Nut (after 2002)
29	006-190-00	Spindle Nut Retainer (after 2002)

BRAKES

Item	Part No.	Description
20	023-047-00/023-048-00	LH/RH 7x1¼ Electric
ns	023-103-00/023-104-00	LH/RH 7x1¼ Electric w/park
ns	023-398-00/023-399-00	LH/RH 7x1¼ Hydraulic Uni-servo

HUBS

Item	Part No.	Description	Bolt Circle
<i>Hubs and Drums</i>			
ns	008-173-16	½" Studs, elec. brakes ONLY	4 on 4.00
ns	008-276-05	½" Studs, hyd. brakes ONLY	4 on 4.00
26A	008-257-05	½" Studs, elec. brakes ONLY	5 on 4.50
26B	008-271-07	½" Studs, hyd. brakes ONLY	5 on 4.50
27A	008-173-15	½" Tapped, elec. brakes ONLY	4 on 4.00
27B	008-276-04	½" Tapped, hyd. brakes ONLY	4 on 4.00
ns	008-257-04	½" Tapped, elec. brakes ONLY	5 on 4.50
ns	008-271-04	½" Tapped, hyd. brakes ONLY	5 on 4.50
<i>Plain Hubs</i>			
ns	008-091-05	½" Studs	4 on 4.00
25A	008-259-05	½" Studs, 8"-12" wheels ONLY	5 on 4.50
25B	008-258-05	½" Studs, 13"-15" wheels ONLY	5 on 4.50
24	008-091-04	½" Tapped	4 on 4.00
ns	008-259-04	½" Tapped, 8"-12" wheels ONLY	5 on 4.50
ns	008-258-04	½" Tapped, 13"-15" wheels ONLY	5 on 4.50

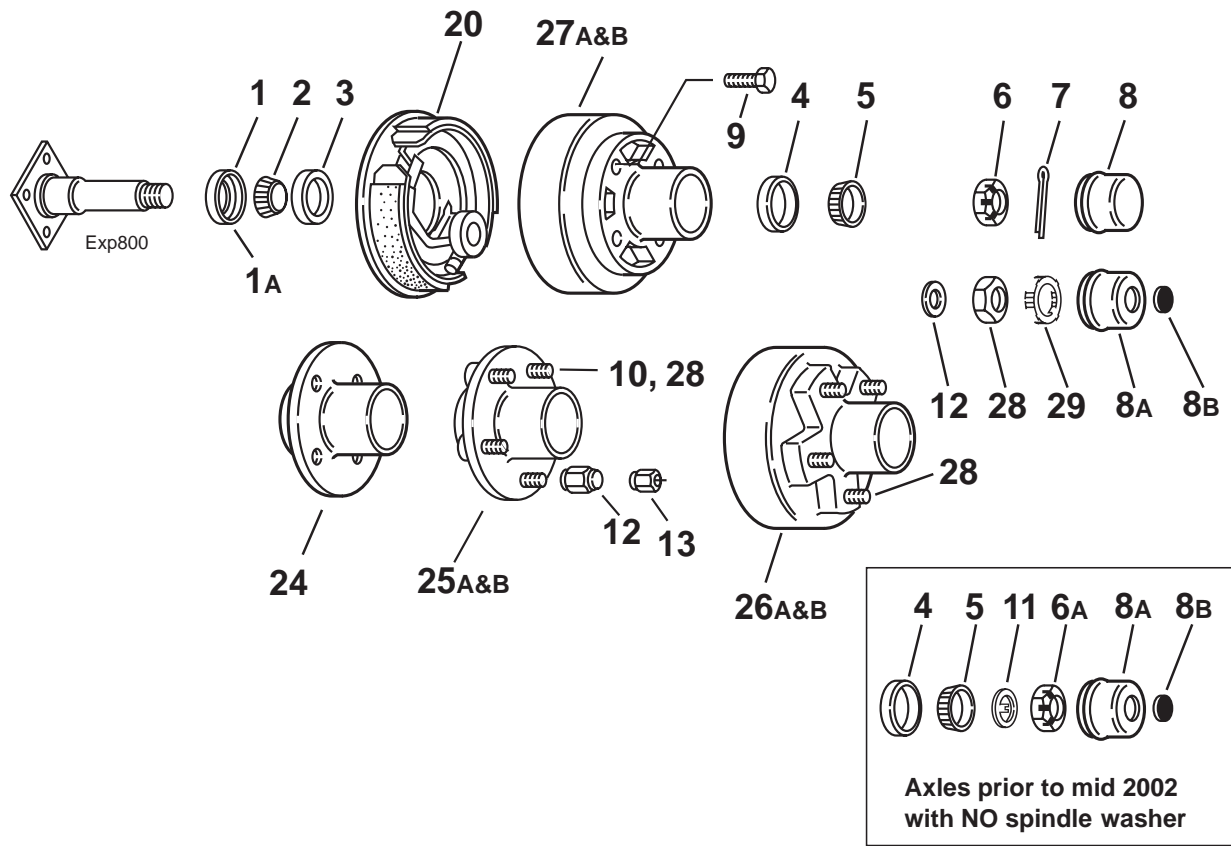
STUDS & WHEEL NUTS

Item	Part No.	Description
9	007-040-00	½-20 Wheel Bolt
10	025-053-00	½-20 Screw-in Stud
12	006-098-00	½-20 Stainless Steel Capped Wheel Nut
13	006-080-00	½-20 60° Cone Nut
28	007-246-00	½-20 Press-in Stud

DEXTER AXLE

440 AND 545 HUB GROUP

1000 - 2200 LBS. CAPACITY



GREASE LUBE PARTS

Item	Part No.	Description
1	010-009-00	Grease Seal
1A	010-060-00	Grease Seal for E-Z Lube™
2	031-031-02	L44649 Inner Bearing Cone
3	031-031-01	L44610 Inner Bearing Cup
4	031-031-01	L44610 Outer Bearing Cup
5	031-031-02	L44649 Outer Bearing Cone
6	006-176-00	Spindle Nut 12 castellation
6A	006-001-00	Spindle Nut - E-Z Lube™ only 6 castellation
7	019-002-00	Cotter Pin (not used with E-Z Lube™)
8	021-003-00	Grease Cap
8A	021-041-01	Grease Cap for E-Z Lube™
8B	085-001-00	Rubber Plug for E-Z Lube™
9	007-040-00	Wheel Bolt
11	005-101-00	Tang Washer for E-Z Lube™ (prior to 2002)
12	005-151-00	Spindle Washer for E-Z Lube™ (after 2002)
28	006-191-00	Special Jam Nut (after 2002)
29	006-190-00	Spindle Nut Retainer (after 2002)

BRAKES

Item	Part No.	Description
20	023-047-00/023-048-00	LH/RH 7x1¼ Electric
ns	023-103-00/023-104-00	LH/RH 7x1¼ Electric w/park
ns	023-398-00/023-399-00	LH/RH 7x1¼ Hydraulic Uni-servo

HUBS

Item	Part No.	Description	Bolt Circle
<i>Hubs and Drums</i>			
ns	008-173-16	½" Studs, elec. brakes ONLY	4 on 4.00
ns	008-276-05	½" Studs, hyd. brakes ONLY	4 on 4.00
26A	008-257-05	½" Studs, elec. brakes ONLY	5 on 4.50
26B	008-271-07	½" Studs, hyd. brakes ONLY	5 on 4.50
27A	008-173-15	½" Tapped, elec. brakes ONLY	4 on 4.00
27B	008-276-04	½" Tapped, hyd. brakes ONLY	4 on 4.00
ns	008-257-04	½" Tapped, elec. brakes ONLY	5 on 4.50
ns	008-271-04	½" Tapped, hyd. brakes ONLY	5 on 4.50
<i>Plain Hubs</i>			
ns	008-091-05	½" Studs	4 on 4.00
25A	008-259-05	½" Studs, 8"-12" wheels ONLY	5 on 4.50
25B	008-258-05	½" Studs, 13"-15" wheels ONLY	5 on 4.50
24	008-091-04	½" Tapped	4 on 4.00
ns	008-259-04	½" Tapped, 8"-12" wheels ONLY	5 on 4.50
ns	008-258-04	½" Tapped, 13"-15" wheels ONLY	5 on 4.50

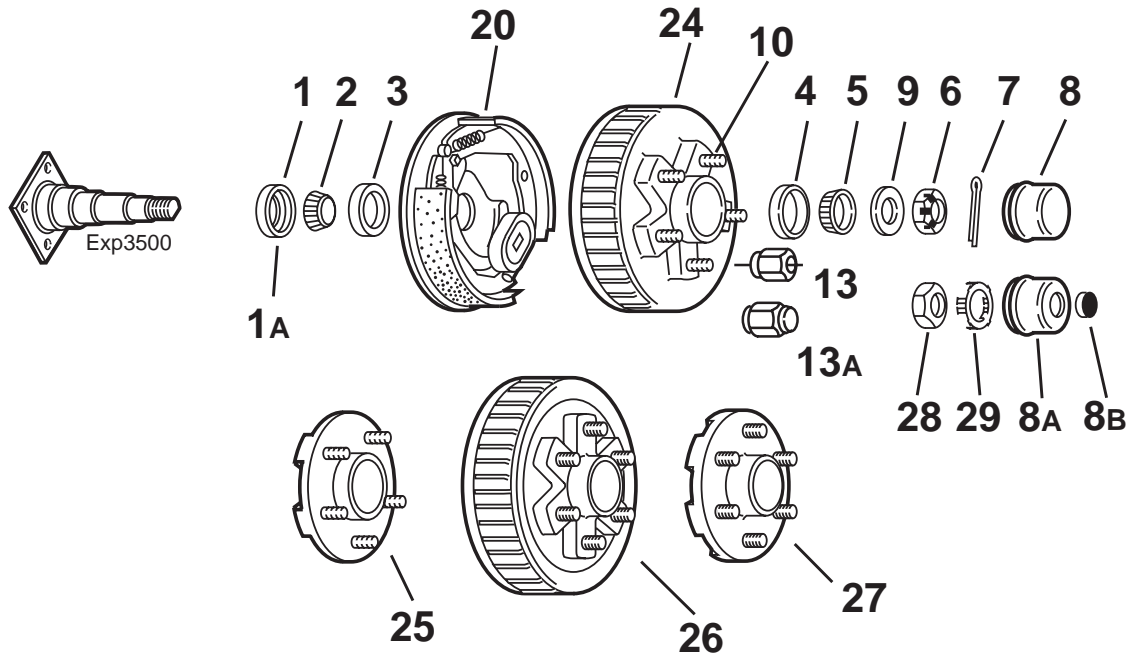
STUDS & WHEEL NUTS

Item	Part No.	Description
9	007-040-00	½-20 Wheel Bolt
10	025-053-00	½-20 Screw-in Stud
12	006-098-00	½-20 Stainless Steel Capped Wheel Nut
13	006-080-00	½-20 60° Cone Nut
28	007-246-00	½-20 Press-in Stud

DEXTER AXLE

545 AND OTHER HUB GROUP

2300 - 3500 LBS. CAPACITY



GREASE LUBE PARTS

Item	Part No.	Description
1	010-004-00	Grease Seal
1A	010-019-00	Grease Seal for E-Z Lube™
2	031-033-02	L68149 Inner Bearing Cone
3	031-033-01	L68111 Inner Bearing Cup
4	031-031-01	L44610 Outer Bearing Cup
5	031-031-02	L44649 Outer Bearing Cone
6	006-176-00	Spindle Nut
7	019-002-00	Cotter Pin
8	021-003-00	Grease Cap
8A	021-041-01	Grease Cap for E-Z Lube™
8B	085-001-00	Rubber Plug for E-Z Lube™
9	005-023-00	Spindle Washer
28	006-191-00	Special Jam Nut (after 2002)
29	006-190-00	Spindle Nut Retainer (after 2002)

10 X 2 1/4 BRAKES

Item	Part No.	Description
20	023-026-00/023-027-00	LH/RH Electric
ns	023-086-00/023-087-00	LH/RH Electric with park
ns	023-312-00/023-313-00	LH/RH Hydraulic Uni-servo
ns	023-330-00/023-331-00	LH/RH Hydraulic Uni-servo w/park
ns	023-310-00/023-311-00	LH/RH Hydraulic Duo-servo
ns	023-400-00/023-401-00	LH/RH Hydraulic Duo-servo w/park
ns	023-344-00/023-345-00	LH/RH Hydraulic Free Backing
ns	023-344-01/023-345-01	LH/RH Hydraulic FB Corrosion Resistant

HUBS

Item	Part No.	Description	Bolt Circle
<i>Hubs and Drums</i>			
24	008-247-05	1/2" Stud	5 on 4.50
24	008-249-07	1/2" Stud	5 on 5.00
24	008-249-05	1/2" Stud	5 on 5.50
26	008-250-05	1/2" Stud	6 on 5.50
24	008-247-12	1/2" Stud	5 on 4.75
<i>Plain Hubs</i>			
25	008-248-05	1/2" Stud	5 on 4.50
25	008-248-10	1/2" Stud	5 on 4.75
25	008-256-07	1/2" Stud	5 on 5.00
25	008-256-05	1/2" Stud	5 on 5.50
27	008-251-05	1/2" Stud	6 on 5.50

STUDS & WHEEL NUTS

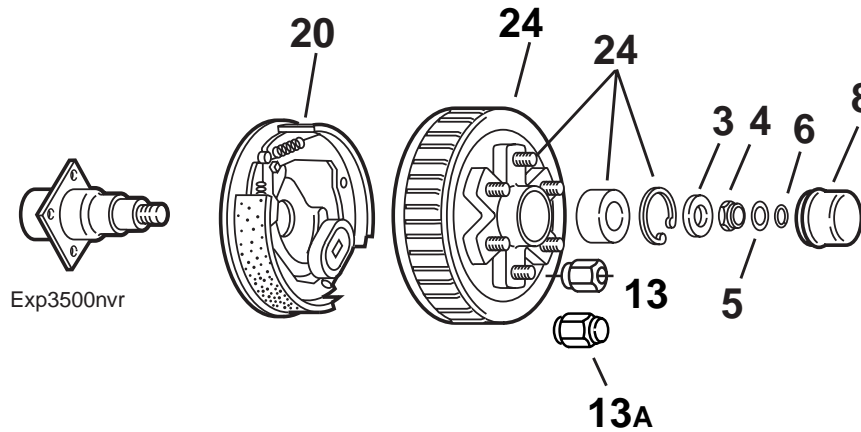
Item	Part No.	Description
10	007-122-00	1/2-20 Pressed Wheel Stud
13A	006-098-00	1/2-20 Stainless Steel Capped Wheel Nut
13	006-080-00	1/2-20 60° Cone Nut

ns - not shown

DEXTER AXLE

655 NEV-R-LUBE™ HUB GROUP

2300 - 3500 LBS. CAPACITY



NEV-R-LUBE™ PARTS 35MM

Item	Part No.	Description
3	005-150-00	Spindle Washer
4	006-183-00	Spindle Nut
5	092-002-00	Washer, Torque Label
6	069-096-00	Snap Ring
8	021-084-00	Hub Cap

HUB WITH BEARING AND WHEEL STUDS

Item	Part No.	Description	Bolt Circle
24	008-386-80	Hub and Drum includes: 007-185-00 ½-20 Press-in Stud 031-072-03 35mm Cartridge Bearing 069-094-00 Bearing Retainer	6 on 5.50

10 X 2¼ BRAKES

Item	Part No.	Description
20	023-026-00/023-027-00	LH/RH Electric
ns	023-086-00/023-087-00	LH/RH Electric with park
ns	023-312-00/023-313-00	LH/RH Hydraulic Uni-servo
ns	023-330-00/023-331-00	LH/RH Hydraulic Uni-servo w/park
ns	023-310-00/023-311-00	LH/RH Hydraulic Duo-servo
ns	023-400-00/023-401-00	LH/RH Hydraulic Duo-servo w/park
ns	023-344-00/023-345-00	LH/RH Hydraulic Free Backing
ns	023-344-01/023-345-01	LH/RH Hydraulic FB Corrosion Resistant

WHEEL NUTS

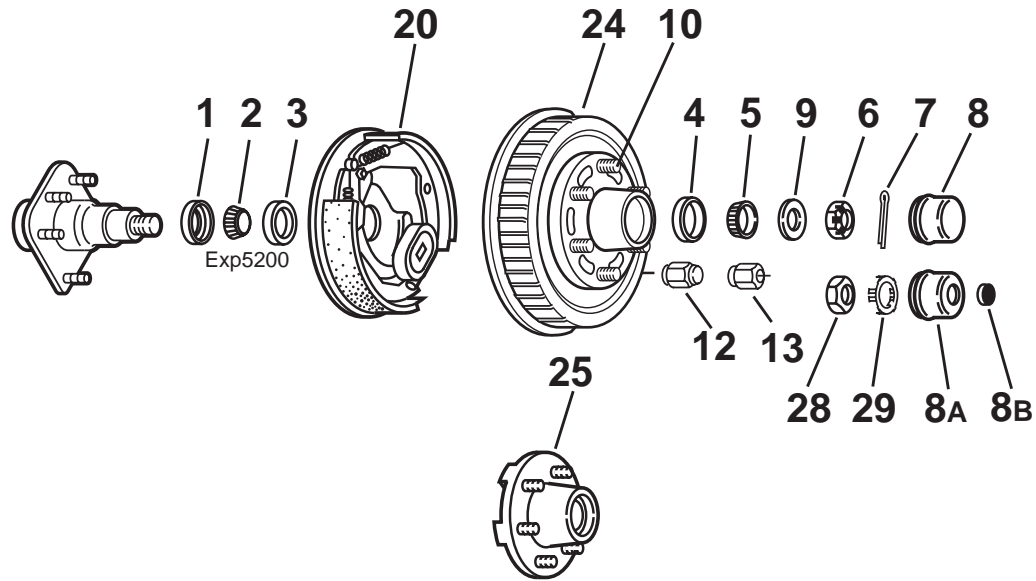
Item	Part No.	Description
13A	006-098-00	½-20 Stainless Steel Capped Wheel Nut
13	006-080-00	½-20 60° Cone Nut

ns - not shown

DEXTER AXLE

655 HUB GROUP

4000 - 6000 LBS. CAPACITY



GREASE LUBE PARTS

Item	Part No.	Description
1	010-036-00	Grease Seal, E-Z Lube™ Seal
	010-063-00	Oil Seal
	010-054-00	2.250" Grease Seal
2	031-030-02	25580 Inner Bearing Cone
3	031-030-01	25520 Inner Bearing Cup
4	031-032-01	LM67010 Outer Bearing Cup (for 5200#)
5	031-032-02	LM67048 Outer Bearing Cone (for 5200#)
4	031-029-01	15245 Outer Bearing Cup (for 6000#)
5	031-029-02	15123 Outer Bearing Cone (for 6000#)
6	006-176-00	Spindle Nut
7	019-002-00	Cotter Pin (not used w/E-Z Lube™)
8	021-001-00	Grease Cap
8A	021-042-01	Grease Cap for E-Z Lube™
8B	085-001-00	Rubber Plug for E-Z Lube™
9	005-023-00	Spindle Washer
28	006-191-00	Special Jam Nut (after 2002)
29	006-190-00	Spindle Nut Retainer (after 2002)

12 X 2 BRAKES

Item	Part No.	Description
20	023-105-00/023-106-00	LH/RH DXQ Electric
ns	023-112-00/023-113-00	LH/RH DXQ Electric w/park
ns	023-324-00/023-325-00	LH/RH Hyd. Uni-servo
ns	023-320-00/023-321-00	LH/RH Hyd. Uni-servo w/park
ns	023-322-00/023-323-00	LH/RH Hyd. Duo-servo
ns	023-318-00/023-319-00	LH/RH Hyd. Duo-servo w/park
ns	023-342-00/023-343-00	LH/RH Hyd. Free Backing
ns	023-340-00/023-341-00	LH/RH Hyd. Free Backing w/park
ns	023-342-01/023-343-01	LH/RH Hyd. FB Corrosion Resistant
ns	023-340-01/023-341-01	LH/RH Hyd. FB Corrosion Resistant w/park

HUBS

Item	Part No.	Description	Bolt Circle
<i>Hubs and Drums</i>			
24	008-201-05	½" Stud for 5200#	6 on 5.50
24	008-201-09	½" Stud 15123 bearing for 6000#	6 on 5.50
<i>Plain Hubs</i>			
25	008-213-05	½" Stud for 5200#	6 on 5.50
25	008-213-09	½" Stud 15123 bearing for 6000#	6 on 5.50

STUDS & WHEEL NUTS

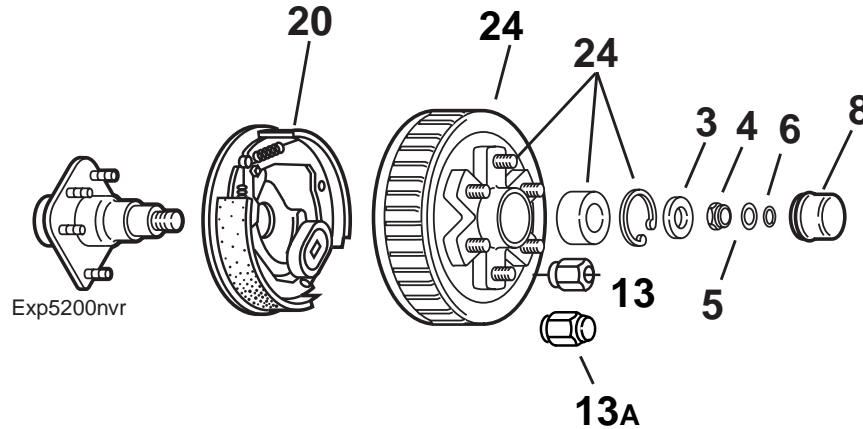
Item	Part No.	Description
10	007-122-00	½-20 Press-in Stud
12	006-098-00	½-20 Stainless Steel Capped Wheel Nuts
13	006-080-00	½-20 60° Cone Nut
ns	006-053-00	9/16-18 60° Cone Nut
ns	006-109-00	5/8-18 90° Cone Nut
ns	007-132-00	9/16-18 Press-in Stud
ns	007-232-00	5/8-18 Press-in Stud

ns - not shown

Note: 8 on 6.5 hubs are available on these axles. See section in 5500-7000 lbs. category.

DEXTER AXLE

655 NEV-R-LUBE™ HUB GROUP



NEV-R-LUBE™ PARTS 42MM & 50MM

Item	Part No.	Description
3	005-147-01	Spindle Washer, 42mm
4	006-183-00	Spindle Nut
5	092-002-00	Washer, Torque Label
6	069-096-00	Snap Ring
8	021-085-00	Hub Cap, 42mm
ns	005-149-00	Spindle Washer, 50mm
ns	021-086-00	Hub Cap, 50mm

12 X 2 BRAKES

Item	Part No.	Description
20	023-105-00/023-106-00	LH/RH DXQ Electric, 6K
ns	023-112-00/023-113-00	LH/RH DXQ Electric w/park, 6K
ns	023-324-00/023-325-00	LH/RH Hyd. Uni-servo, 5.2K
ns	023-320-00/023-321-00	LH/RH Hyd. Uni-servo w/park, 5.2K
ns	023-322-00/023-323-00	LH/RH Hyd. Duo-servo, 5.2K
ns	023-318-00/023-319-00	LH/RH Hyd. Duo-servo w/park, 5.2K
ns	023-338-00/023-339-00	LH/RH Hyd. Uni-servo, 7K
ns	023-334-00/023-335-00	LH/RH Hyd. Uni-servo w/park, 7K
ns	023-336-00/023-337-00	LH/RH Hyd. Duo-servo, 7K
ns	023-332-00/023-333-00	LH/RH Hyd. Duo-servo w/park, 7K
ns	023-342-00/023-343-00	LH/RH Hyd. Free Backing, 7K
ns	023-340-00/023-341-00	LH/RH Hyd. Free Backing w/park, 7K

ns=not shown

HUBS WITH BEARING AND WHEEL STUDS

Item	Part No.	Description	Bolt Circle
24	008-388-80	Hub & Drum includes: 007-122-00 ½-20 Press-in Studs 031-073-03 42mm Bearing Cartridge 069-095-00 Bearing Retainer	6 on 5.50

WHEEL NUTS

Item	Part No.	Description
13A	006-098-00	½-20 Stainless Steel Capped Wheel Nut
13	006-080-00	½-20 60° Cone Nut
ns	006-053-00	9/16"-18 60° Cone Nut
ns	006-109-00	5/8"-18 90° Cone Nut

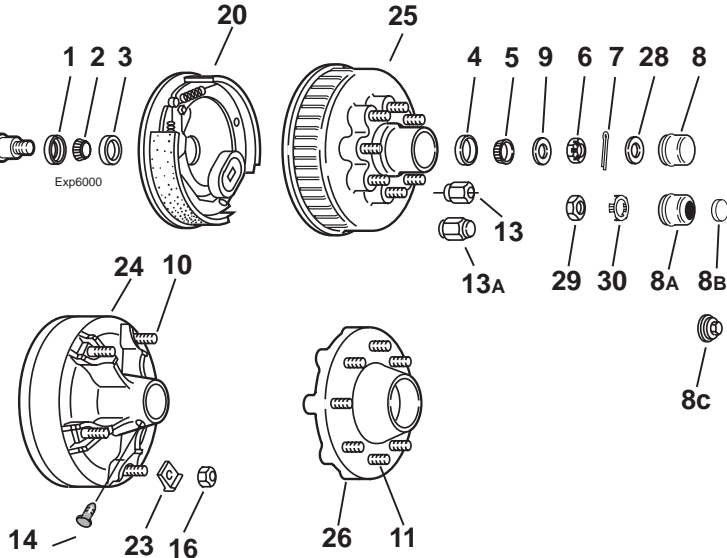
Note: 8 on 6.5 Nev-R-Lube™ hubs are available on these axles. See section in 5500-7000 lbs. category.

4000 - 6000 LBS. CAPACITY

DEXTER AXLE

865 AND DEMOUNTABLE HUB GROUP

5500 - 7000 LBS. CAPACITY



GREASE LUBE PARTS

Item	Part No.	Description
1	010-054-00	Grease Seal 2.25"
1	010-036-00	E-Z Lube™ Seal 2.25"
2	031-030-02	25580 Inner Bearing Cone
3	031-030-01	25520 Inner Bearing Cup
4	031-017-01	14276 Outer Bearing Cup - 865 Hub
4	031-029-01	15245 Outer Bearing Cup - UTG Hub
5	031-029-02	15123 Outer Bearing Cone
5	031-017-02	14125A Outer Bearing Cone
6	006-176-00	Spindle Nut
7	019-002-00	Cotter Pin (not used on E-Z Lube™)
8	021-001-00	Grease Cap - UTG Hub
8	021-039-00	Grease Cap - 865 Hub
8A	021-042-01	Grease Cap E-Z Lube™-UTG
8A	021-042-02	Grease Cap E-Z Lube™ Chrome Option-UTG
8A	021-043-01	Grease Cap E-Z Lube™-865 Hub
8A	021-043-02	Grease Cap E-Z Lube™ Chrome Option-865 Hub
8B	085-001-00	E-Z Lube™ Rubber Plug
9	005-057-00	Spindle Washer
16	006-005-00	9/16-18 Nut for Rim Clamp
23	015-002-00	Rim Clamp
29	006-191-00	Special Jam Nut (after 2002)
30	006-190-00	Spindle Nut Retainer (after 2002)

OIL LUBE PARTS

Item	Part No.	Description
1	010-063-00	Oil Seal 2.25"
2	031-030-02	25580 Inner Bearing Cone
3	031-030-01	25520 Inner Bearing Cup
4	031-017-01	14276 Outer Bearing Cup - 865 Hub
4	031-029-01	15245 Outer Bearing Cup - UTG Hub
5	031-029-02	15123 Outer Bearing Cone
5	031-017-02	14125A Outer Bearing Cone
6	006-176-00	Spindle Nut
7	019-002-00	Cotter Pin
9	005-057-00	Spindle Washer
8C	021-035-00	Oil Cap (865 Hub)
8C	021-040-00	Oil Cap (UTG Hub)
14	046-052-00	Oil Filler Plug
ns	046-032-00	Oil Cap Plug
16	006-005-00	9/16-18 Nut for Rim Clamp
23	015-002-00	Rim Clamp
28	010-045-00	865 'O' Ring
ns	010-059-00	UTG 'O' Ring

ns - not shown

HUBS

Item	Part No.	Description	Bolt Circle
<i>Hubs and Drums</i>			
24	008-174-05	Grease 9/16" stud	Demountable
24	008-174-06	Oil 9/16" stud	Demountable
25	008-219-04	Grease 1/2" stud	8 on 6.50
25	008-219-13	Grease 9/16" stud	8 on 6.50
25	008-219-18	Grease 5/8" stud	8 on 6.50
25	008-219-09	Oil 1/2" stud	8 on 6.50
25	008-219-20	Oil 9/16" stud	8 on 6.50
25	008-219-26	Oil 5/8" stud	8 on 6.50
<i>Plain Hubs</i>			
26	008-231-09	Grease 1/2" stud	8 on 6.50
26	008-231-18	Grease 9/16" stud	8 on 6.50
26	008-231-20	Grease 5/8" stud	8 on 6.50
26	008-231-16	Oil 1/2" stud	8 on 6.50

BRAKES

Item	Part No.	Description
20	023-105-00/023-106-00	LH/RH DXQ Electric-6K
20	023-180-00/023-181-00	LH/RH Electric-7K
ns	023-338-00/023-339-00	LH/RH Hyd. Uni-servo-7K
ns	023-334-00/023-335-00	LH/RH Hyd. Uni-servo w/park-7K
ns	023-336-00/023-337-00	LH/RH Hyd. Duo-servo-7K
ns	023-332-00/023-333-00	LH/RH Hyd. Duo-servo w/park-7K
ns	023-342-00/023-343-00	LH/RH Hyd. Uni-servo FB-7K
ns	023-340-00/023-341-00	LH/RH Hyd. Uni-servo FB w/park-7K
ns	023-326-00/023-327-00	LH/RH Electric 6K CSA

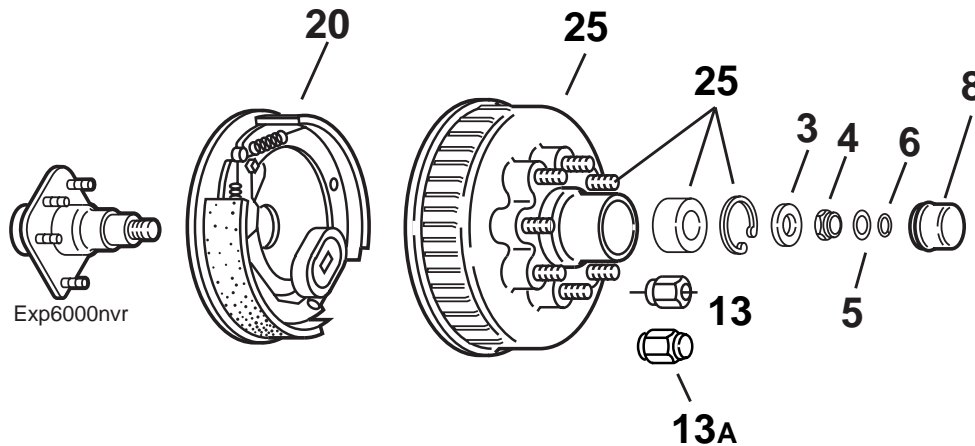
STUDS & WHEEL NUTS

Item	Part No.	Description
10	025-011-00	9/16-18 Stud - UTG
11	007-122-00	1/2-20 Press-in Stud
13A	006-098-00	1/2-20 Stainless Steel Capped Wheel Nut
13	006-080-00	1/2-20 60° Cone Nut
ns	007-132-00	9/16-18 Press-in Stud
ns	006-053-00	9/16-18 60° Cone Nut
ns	007-232-00	5/8-18 Press-in Stud
ns	006-109-00	5/8-18 90° Cone Nut

Note: 6 on 5.5 hubs are available on these axles. See section in 4000-6000 lbs. category.

DEXTER AXLE

655 AND 865 NEV-R-LUBE™ HUB GROUP



NEV-R-LUBE™ PARTS

Item	Part No.	Description
ns	005-147-01	Spindle Washer, 42mm
3	005-149-00	Spindle Washer, 50mm
4	006-183-00	Spindle Nut
5	092-002-00	Washer, Torque Label
6	069-096-00	Snap Ring
ns	021-085-00	Hub Cap, 42mm
8	021-086-00	Hub Cap, 50mm

ns - not shown

12 X 2 BRAKES

Item	Part No.	Description
20	023-105-00/023-106-00	LH/RH DXQ Electric
ns	023-180-00/023-181-00	LH/RH Electric-7K
ns	023-338-00/023-339-00	LH/RH Hyd. Uni-servo-7K
ns	023-334-00/023-335-00	LH/RH Hyd. Uni-servo w/park-7K
ns	023-336-00/023-337-00	LH/RH Hyd. Duo-servo-7K
ns	023-332-00/023-333-00	LH/RH Hyd. Duo-servo w/park-7K
ns	023-342-00/023-343-00	LH/RH Hyd. FB-7K
ns	023-340-00/023-341-00	LH/RH Hyd. FB w/park-7K
ns	023-326-00/023-327-00	LH/RH Electric 6K CSA

HUBS WITH BEARING AND WHEEL STUDS

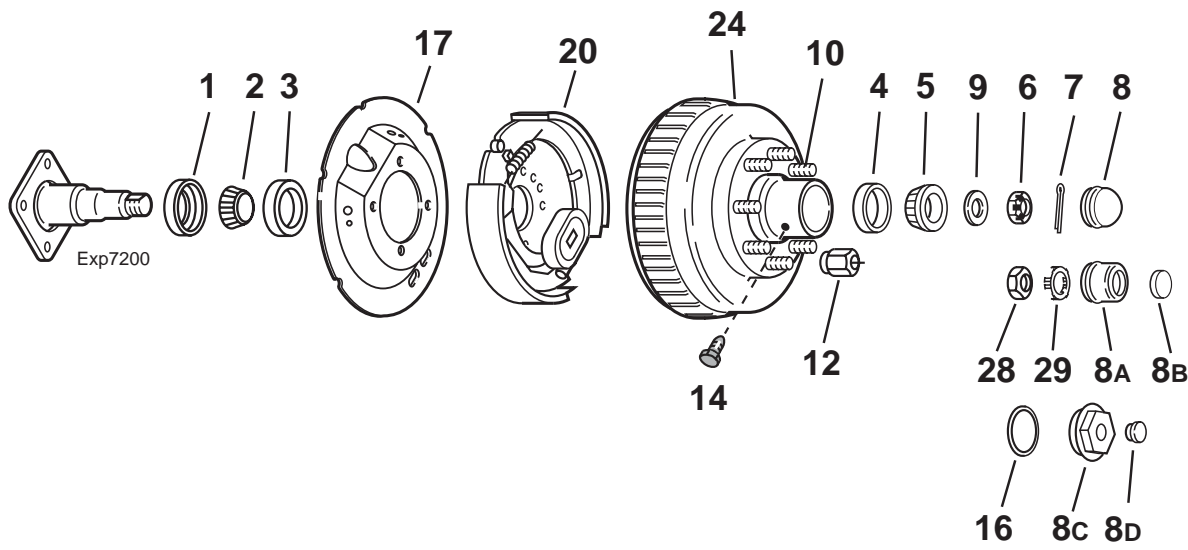
Item	Part No.	Description	Bolt Circle
ns	008-388-80	Hub & Drum includes: 007-122-00 1/2-20 Press-in Studs 031-073-03 42mm Bearing Cartridge 069-095-00 Bearing Retainer	6 on 5.50
25	008-385-82	Hub & Drum includes: 007-122-00 1/2-20 Press-in Studs 031-071-03 50mm Bearing Cartridge 069-093-00 Bearing Retainer	8 on 6.50
ns	008-385-81	Hub & Drum includes: 007-223-00 9/16-18 Press-in Studs 031-071-03 50mm Bearing Cartridge 069-093-00 Bearing Retainer	8 on 6.50
ns	008-385-80	Hub & Drum includes: 007-224-00 5/8-18 Press-in Studs 031-071-03 50mm Bearing Cartridge 069-093-00 Bearing Retainer	8 on 6.50

WHEEL NUTS

Item	Part No.	Description
13A	006-098-00	1/2-20 Stainless Steel Capped Wheel Nut
13	006-080-00	1/2-20 60° Cone Nut
ns	006-053-00	9/16-18 60° Cone Nut
ns	006-109-00	5/8-18 90° Cone Nut

5500 - 7000 LBS. CAPACITY

DEXTER AXLE



GREASE LUBE PARTS

Item	Part No.	Description
1	010-063-00	Seal
2	031-030-02	25580 Inner Bearing Cone
3	031-030-01	25520 Inner Bearing Cup
4	031-028-01	Outer Bearing Cup (02420)
5	031-028-02	Outer Bearing Cone (02475)
6	006-176-00	Spindle Nut
7	019-002-00	Cotter Pin (not used on E-Z Lube™)
8	021-039-00	Grease Cap
8A	021-043-01	Grease Cap E-Z Lube™
8B	085-001-00	E-Z Lube™ Plug
9	005-057-00	Spindle Washer
14	046-052-00	Oil Filler Plug
28	006-191-00	Special Jam Nut (after 2002)
29	006-190-00	Spindle Nut Retainer (after 2002)

OIL LUBE PARTS

Item	Part No.	Description
1	010-063-00	Seal
2	031-030-02	25580 Inner Bearing Cone
3	031-030-01	25520 Inner Bearing Cup
4	031-028-01	Outer Bearing Cup (02420)
5	031-028-02	Outer Bearing Cone (02475)
6	006-176-00	Spindle Nut
7	019-002-00	Cotter Pin
9	005-057-00	Spindle Washer
8C	021-035-00	Oil Cap
8D	046-032-00	Oil Cap Plug
14	046-052-00	Oil Filler Plug
16	010-045-00	'O' Ring for Oil Lube

STUDS & WHEEL NUTS

Item	Part No.	Description
10	007-224-00	5/8"-18 Press-in Stud
10	007-223-00	9/16"-18 Press-in Stud
12	006-053-00	9/16"-18 60° Cone
12	006-109-00	5/8"-18 90° Cone
ns	006-058-00	5/8"-18 Flange Nut

ns - not shown

HUBS

(after May 2000 for Cast Backing Plate Brakes)

Item	Part No.	Description	Bolt Circle
24	008-393-04	Grease 9/16" studs	8 on 6.50
24	008-393-06	Grease 5/8" studs	8 on 6.50
24	008-393-03	Oil 9/16" studs	8 on 6.50
24	008-393-05	Oil 5/8" studs	8 on 6.50

BRAKES

(after May 2000 with Cast Backing Plate Brakes)

Item	Part No.	Description
20	023-429-00	RH 12¼ x 2½" Electric Brakes
20	023-428-00	LH 12¼ x 2½" Electric Brakes
17	036-118-00	Dust Shield not included with brake assembly

Service Parts-Not Interchangeable With Cast Parts

HUBS

(before May 2000 for Stamped Backing Plate Brakes)

Item	Part No.	Description	Bolt Circle
24	008-355-13	Grease 9/16" studs	8 on 6.50
24	008-355-15	Grease 5/8" studs	8 on 6.50
24	008-355-12	Oil 9/16" studs	8 on 6.50
24	008-355-14	Oil 5/8" studs	8 on 6.50

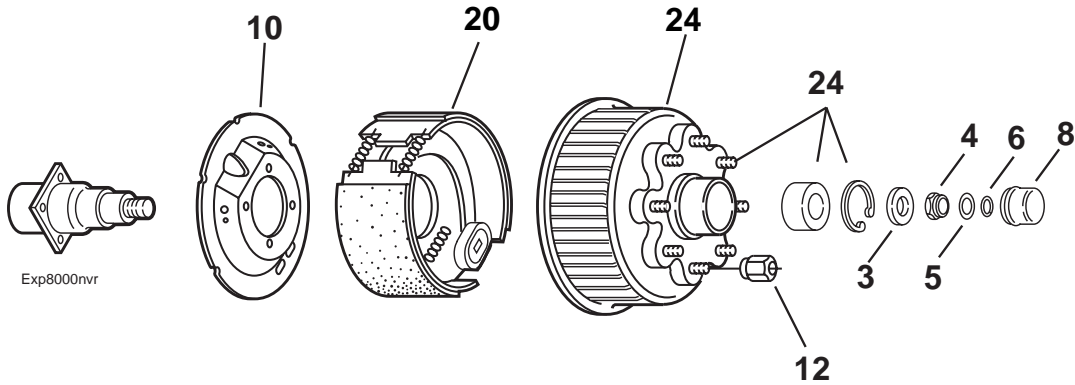
BRAKES

(before May 2000 with Stamped Backing Plate Brakes)

Item	Part No.	Description
20	023-369-00	RH 12¼ x 2½" Electric Brakes
20	023-370-00	LH 12¼ x 2½" Electric Brakes
17	036-110-00	Dust Shield (top) included with Brake Assembly
17	036-110-01	Dust Shield (bottom) included with Brake Assembly

7200 LBS. CAPACITY

865 NEV-R-LUBE™ HUB GROUP



NEV-R-LUBE™ PARTS 50MM

Item	Part No.	Description
3	005-149-00	Spindle Washer
4	006-183-00	Spindle Nut
5	092-002-00	Washer, Torque Label
6	069-096-00	Snap Ring
8	021-086-00	Hub Cap

12¼ X 2½ BRAKES

Item	Part No.	Description
10	036-115-20	Dust Shield
10	036-115-24	Dust Shield for brakes w/park
20	023-097-00/023-098-00	LH/RH Self-Adj. Electric Brake

HUBS WITH BEARING & WHEEL STUDS

Item	Part No.	Description	Bolt Circle
24	008-395-80	Hub & Drum includes: 007-223-00 9/16" Press-in Studs 031-071-03 50 mm Bearing Cartridge 069-093-00 Bearing Retainer	8 on 6.50
ns	008-395-81	Hub & Drum includes: 007-224-00 5/8" Press-in Studs 031-071-03 50 mm Bearing Cartridge 069-093-00 Bearing Retainer	8 on 6.50

WHEEL NUTS

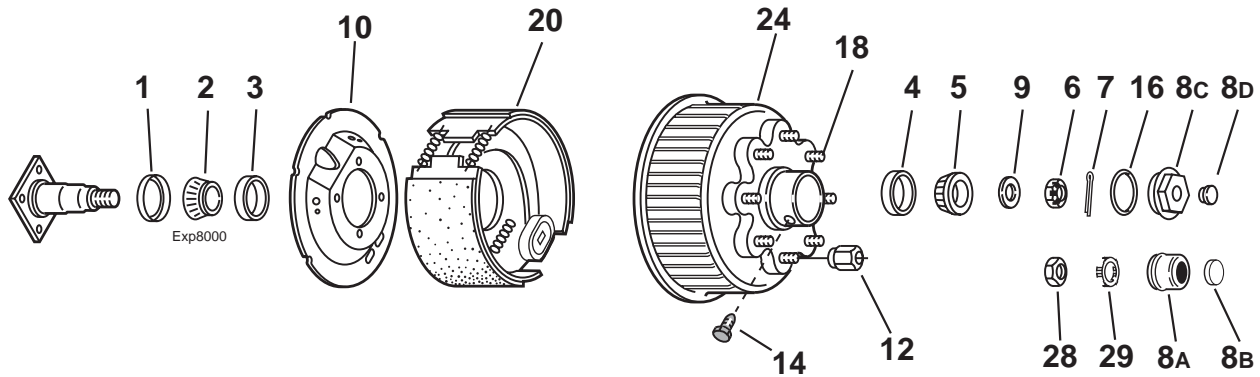
Item	Part No.	Description
12	006-053-00	9/16"-18 60° Cone Nut
ns	006-109-00	5/8"-18 90° Cone Nut
ns	006-058-00	5/8"-18 Flange Nut

ns - not shown

DEXTER AXLE

865 HUB GROUP

8000 LBS. CAPACITY



OIL LUBE PARTS

Item	Part No.	Description
1	010-063-00	Seal (Unitized)
2	031-030-02	25580 Inner Bearing Cone
3	031-030-01	25520 Inner Bearing Cup
4	031-028-01	02420 Outer Bearing Cup
5	031-028-02	02475 Outer Bearing Cone
6	006-176-00	Spindle Nut
7	019-002-00	Cotter Pin
8C	021-035-00	Oil Cap
8D	046-032-00	Oil Cap Plug
9	005-057-00	Spindle Washer
14	046-052-00	Oil Filler Plug
16	010-045-00	'O' Ring

GREASE LUBE PARTS

Item	Part No.	Description
1	010-063-00	Seal (Unitized)
2	031-030-02	25580 Inner Bearing Cone
3	031-030-01	25520 Inner Bearing Cup
4	031-028-01	02420 Outer Bearing Cup
5	031-028-02	02475 Outer Bearing Cone
6	006-176-00	Spindle Nut
7	019-002-00	Cotter Pin (not for E-Z Lube™)
9	005-057-00	Spindle Washer
8A	021-043-01	Grease Cap E-Z Lube™
8B	085-001-00	E-Z Lube™ Plug
ns	021-039-00	Grease Cap
28	006-191-00	Special Jam Nut (after 2002)
29	006-190-00	Spindle Nut Retainer (after 2002)

ABS COMPONENTS

Part No.	Description
097-004-00	Sensor, Straight
024-204-00	Sensor Block, Screw-In
097-002-00	Sensor Retainer Clip

12¼ X 3⅜ BRAKES

Item	Part No.	Description
10	036-115-20	Dust Shield
10	036-115-24	Dust Shield for brakes w/park
20	023-097-00/023-098-00	LH/RH Self-Adj. Electric Brake
ns	023-138-00/023-139-00	LH/RH Self-Adj. Hyd. Brake Duo-servo
ns	023-171-00/023-172-00	LH/RH Self-Adj. Hyd. Brake DS w/park
ns	023-250-00/023-251-00	LH/RH Hyd. Brake Uni-servo
ns	023-252-00/023-253-00	LH/RH Hyd. Brake Uni-servo w/ park

HUBS

Item	Part No.	Description	Bolt Circle
<i>Hubs and Drums</i>			
24	008-285-08	Grease 5/8" studs	8 on 6.50
24	008-285-15	Grease 5/8" studs ABS	8 on 6.50
24	008-285-11	Grease 9/16" studs	8 on 6.50
24	008-285-13	Grease 9/16" studs ABS	8 on 6.50
24	008-285-10	Oil 5/8" studs	8 on 6.50
24	008-285-14	Oil 5/8" studs ABS	8 on 6.50
24	008-285-09	Oil 9/16" studs	8 on 6.50
24	008-285-12	Oil 9/16" studs ABS	8 on 6.50
<i>Plain Hub</i>			
ns	008-287-07	Grease 5/8" studs	8 on 6.50
ns	008-287-11	Grease 9/16" studs	8 on 6.50
ns	008-287-17	Oil 5/8" studs	8 on 6.50
ns	008-287-14	Oil 9/16" studs	8 on 6.50

ns - not shown

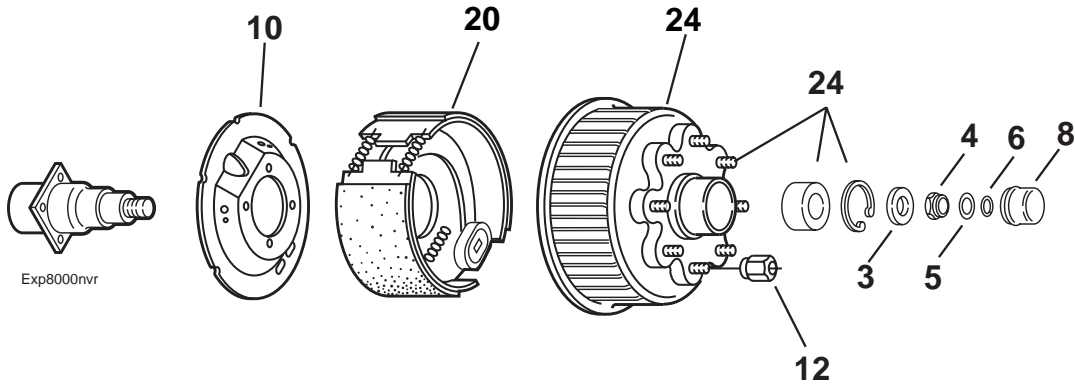
STUDS & WHEEL NUTS

Item	Part No.	Description
12	006-053-00	9/16"-18 60° Cone
12	006-109-00	5/8"-18 90° Cone
ns	006-058-00	5/8"-18 Flange Nut
18	007-132-00	9/16"-18 Press-in Stud
18	007-232-00	5/8"-18 Press-in Stud

DEXTER AXLE

8000 LBS. CAPACITY

865 NEV-R-LUBE™ HUB GROUP



NEV-R-LUBE™ PARTS 50MM

Item	Part No.	Description
3	005-149-00	Spindle Washer
4	006-183-00	Spindle Nut
5	092-002-00	Washer, Torque Label
6	069-096-00	Snap Ring
8	021-086-00	Grease Cap

12¼ X 3⅜ BRAKES

Item	Part No.	Description
10	036-115-20	Dust Shield
10	036-115-24	Dust Shield for brakes w/park
20	023-097-00/023-098-00	LH/RH Self-Adj. Electric Brake
21	023-138-00/023-139-00	LH/RH Self-Adj. Hyd. Brake Duo-servo
21	023-171-00/023-172-00	LH/RH Self-Adj. Hyd. Brake DS w/park
ns	023-250-00/023-251-00	LH/RH Hyd. Brake Uni-servo
ns	023-252-00/023-253-00	LH/RH Hyd. Brake Uni-servo w/ park

ABS HUBS

Item	Part No.	Description	Bolt Circle
24	008-389-09	Grease 5/8" studs ABS	8 on 6.50
24	008-389-12	Grease 9/16" studs ABS	8 on 6.50

HUBS WITH BEARING & WHEEL STUDS

Item	Part No.	Description	Bolt Circle
24	008-389-81	Hub & Drum includes: 007-223-00 9/16" Press-in Studs 031-071-03 50 mm Bearing Cartridge 069-093-00 Bearing Retainer	8 on 6.50
ns	008-389-80	Hub & Drum includes: 007-224-00 5/8" Press-in Studs 031-071-03 50 mm Bearing Cartridge 069-093-00 Bearing Retainer	8 on 6.50

WHEEL NUTS

Item	Part No.	Description
12	006-053-00	9/16"-18 60° Cone Nut
ns	006-109-00	5/8"-18 90° Cone Nut

ns - not shown

ABS COMPONENTS

Part No.	Description
097-004-00	Sensor, Straight
024-204-00	Sensor Block, Screw-In
097-002-00	Sensor Retainer Clip

DEXTER AXLE